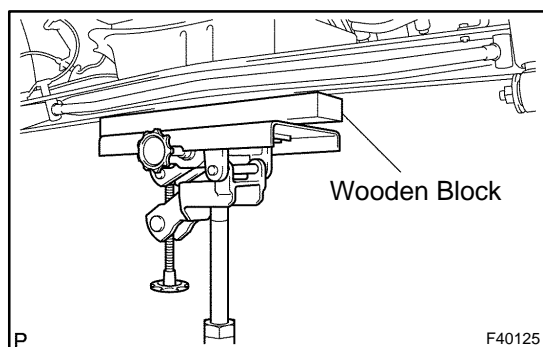


REAR SHOCK ABSORBER WITH COIL SPRING OVERHAUL

27015-01

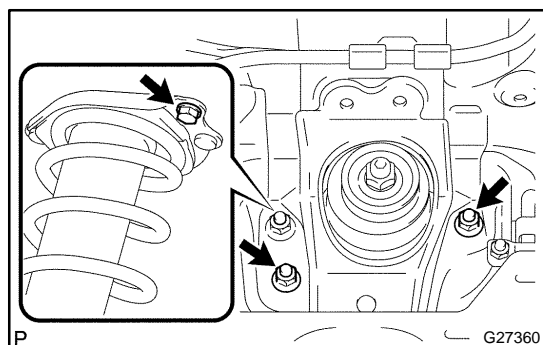
HINT:

- COMPONENTS: See page 27-2.
 - Installation is in the reverse order of removal.
1. REMOVE REAR FLOOR BOARD NO.2 (SEE PAGE 21-116)
 2. REMOVE DECK FLOOR BOX REAR (SEE PAGE 21-116)
 3. REMOVE DECK TRIM COVER REAR (SEE PAGE 21-54)
 4. REMOVE TONNEAU COVER ASSY (SEE PAGE 21-54)
 5. REMOVE REAR SEAT BACK ASSY LH (SEE PAGE 72-9)
 6. REMOVE REAR FLOOR BOARD NO.1 (SEE PAGE 21-54)
 7. REMOVE REAR SIDE SEAT BACK FRAME LH (SEE PAGE 21-54)
 8. REMOVE REAR FLOOR BOARD NO.4 (SEE PAGE 21-54)
 9. REMOVE DECK FLOOR BOX LH (SEE PAGE 21-54)
 10. REMOVE DECK TRIM SIDE PANEL ASSY LH (SEE PAGE 21-54)
 11. REMOVE BATTERY CARRIER BRACKET (SEE PAGE 21-54)
 12. REMOVE REAR WHEEL

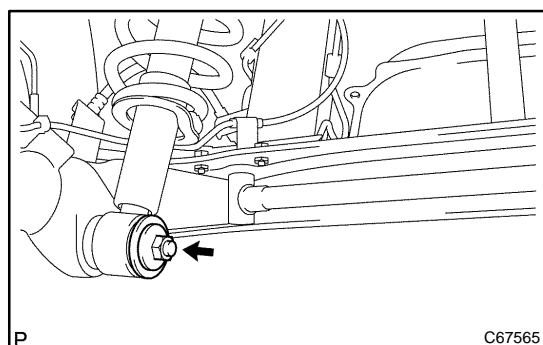


13. REMOVE REAR SHOCK ABSORBER WITH COIL SPRING

- (a) Support the rear axle beam with a jack. Insert a wooden block between the jack and the rear axle beam to prevent damage.



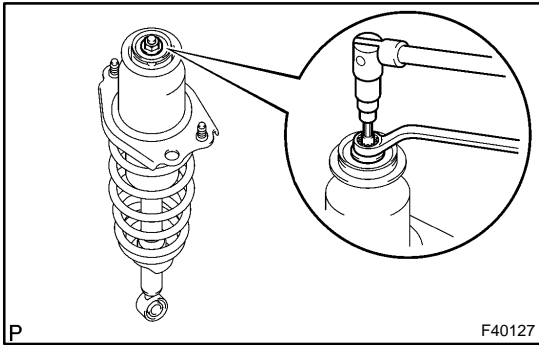
- (b) Remove the 2 nuts from the rear shock absorber with coil spring (upper side).
- (c) Remove the rear shock absorber with coil spring (upper side) bolt from the under-side of the vehicle.



- (d) Remove the nut and spacer from the rear shock absorber with coil spring (lower side).
- (e) Remove the rear shock absorber with coil spring while slowly lowering the jack.

NOTICE:

Set the jack so that no extra load is placed on the shock absorber assy on the opposite side of the vehicle.

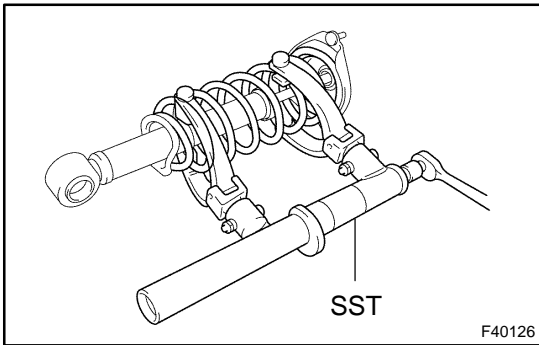


14. REMOVE SHOCK ABSORBER ASSY REAR LH

- (a) Use a socket hexagon wrench (6 mm) to secure the piston rod of the shock absorber assy and loosen the nut.

NOTICE:

- Do not remove the nut.
- Sufficiently insert the hexagon wrench.



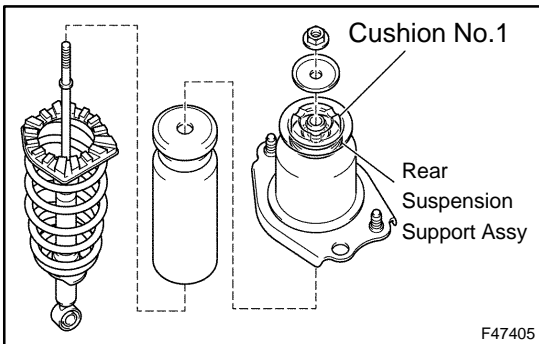
- (b) Attach the SST to the coil spring so that the upper and lower hooks of the installed area are as wide as possible. SST 09727-30021 (09727-00010, 09727-00021, 09727-00031)

- (c) Compress the coil spring until it moves freely.

NOTICE:

Do not use an impact wrench. It will damage the SST.

- (d) Remove the nut.



- (e) Remove cushion washer No.1, cushion No.1, the rear spring front bracket, the rear suspension support assy, the rear coil spring insulator upper and rear spring bumper No.1.

HINT:

The shock absorber assy can be replaced without removing cushion No.1 and the rear suspension support assy from the rear spring front bracket.

- (f) Release the SST and remove it from the coil spring after removing the coil spring from the shock absorber assy.

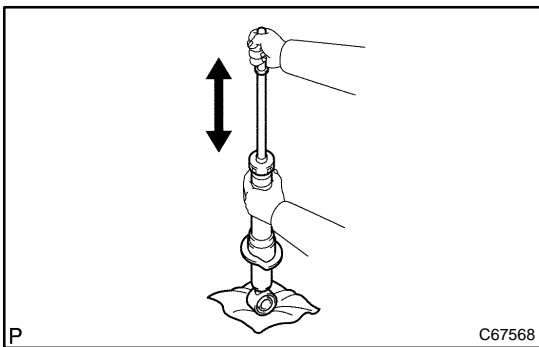
15. INSPECT SHOCK ABSORBER ASSY REAR LH

- (a) Compress and extend the shock absorber rod, and check that there is no abnormal resistance or unusual sound.

If there is any abnormality, replace the shock absorber with a new one.

NOTICE:

When disposing of the shock absorber, see DISPOSAL on page 27-8.



16. INSTALL SHOCK ABSORBER ASSY REAR LH

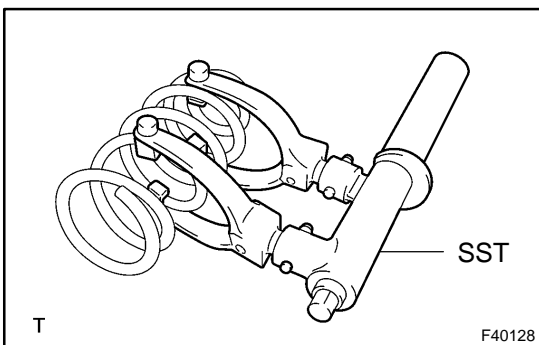
- (a) Compress the coil spring using SST. SST 09727-30021 (09727-00010, 09727-00021, 09727-00031)

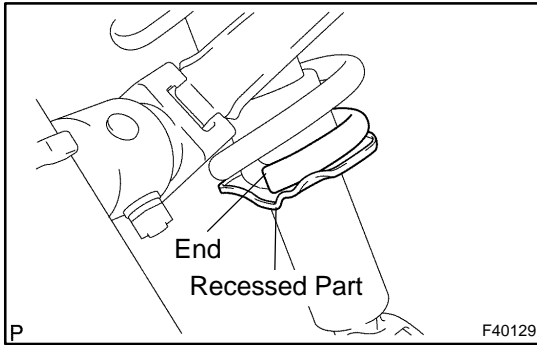
NOTICE:

Do not use an impact wrench. It will damage the SST.

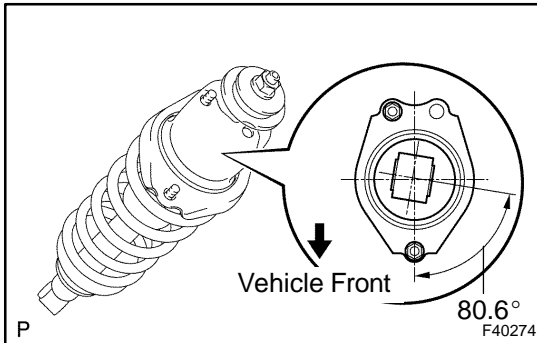
HINT:

The coil spring can also be installed/removed using the hydraulic spring compressor.





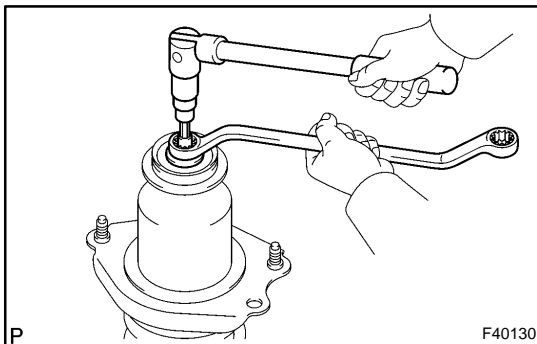
- (b) Fit the coil spring end into the recessed part of the shock absorber assy lower seat.
- (c) Fit the rear coil spring insulator upper to the rear spring front bracket.



- (d) Install rear spring bumper No.1, the rear suspension support assy, the rear spring front bracket, cushion No.1 and cushion washer No.1.

NOTICE:

- Install the rear spring front bracket so that it is aligned with the shock absorber assy lower bush, as shown in the illustration.
- Install cushion washer No.1 with the protruding portion facing down.



- (e) Use a socket hexagon wrench (6 mm) to fix the shock absorber assy piston rod and tighten the nut.

Torque: 56 N·m (571 kgf·cm, 41 ft·lbf)

NOTICE:

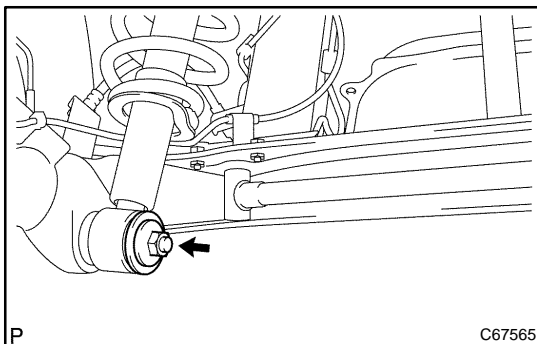
Sufficiently insert the hexagon wrench.

- (f) Release the SST and remove it from the coil spring.

NOTICE:

- Do not use an impact wrench. It will damage the SST.
- Remove the SST while confirming the direction of the rear spring front bracket.

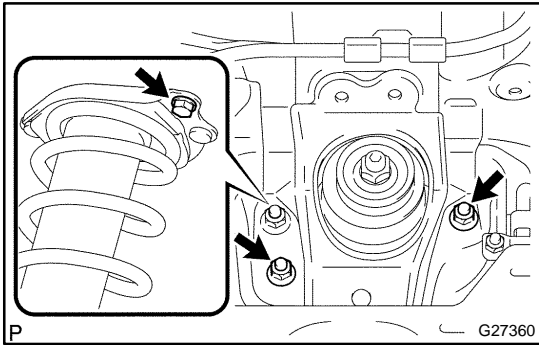
17. INSTALL REAR SHOCK ABSORBER WITH COIL SPRING



- (a) Install the rear shock absorber with coil spring to the rear axle beam. Place the spacer and temporarily tighten the nut.
- (b) Install the rear shock absorber with coil spring (upper side) to the vehicle by slowly raising the rear axle beam assy on a jack. Insert a wooden block between the jack and the rear axle beam assy to prevent damage.

NOTICE:

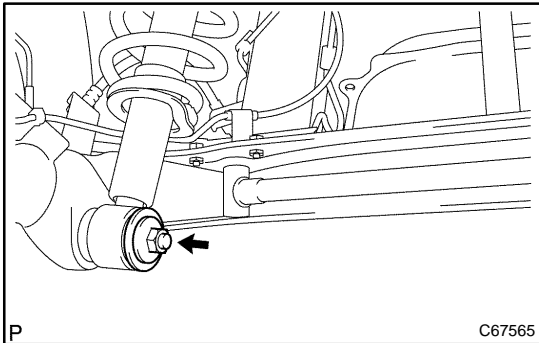
- Do not raise the rear axle beam assy more than necessary.
- Securely insert the rear spring front bracket stud bolt into the vehicle.



- (c) Tighten the bolt and 2 nuts of the rear shock absorber with coil spring (upper side).
Torque: 80 N·m (816 kgf·cm, 59 ft·lbf)

18. STABILIZE SUSPENSION

- (a) Install the rear wheel.
Torque: 103 N·m (1,050 kgf·cm, 76 ft·lbf)
- (b) After jacking down the vehicle, bounce the vehicle up and down to stabilize the rear suspension.



19. FULLY TIGHTEN REAR SHOCK ABSORBER WITH COIL SPRING

- (a) Tighten the rear shock absorber with coil spring (lower side) installation nut.
Torque: 80 N·m (816 kgf·cm, 59 ft·lbf)

NOTICE:

Ensure the vehicle is lowered to the ground.

20. INSPECT REAR WHEEL ALIGNMENT (SEE PAGE [27-3](#))

21. PERFORM INITIALIZATION (W/ DISCHARGE HEAD LAMP) (SEE PAGE [05-1670](#))