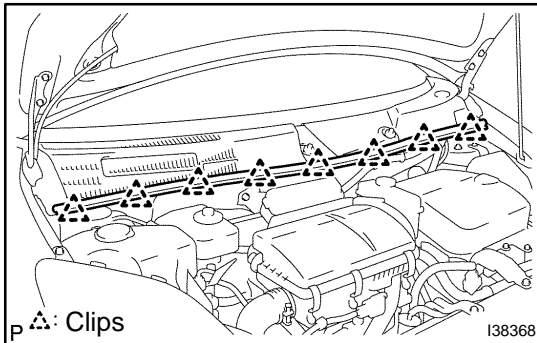


WINDSHIELD WIPER MOTOR ASSY REPLACEMENT

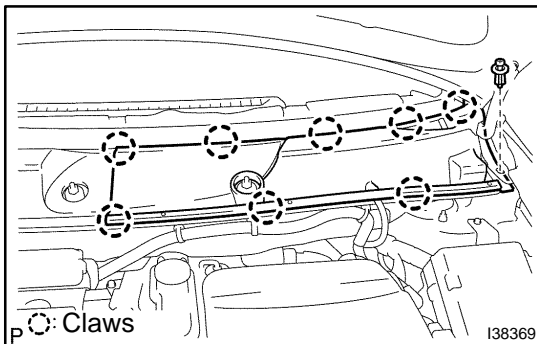
660HI-02

1. REMOVE FRONT WIPER ARM HEAD CAP
2. REMOVE FR WIPER ARM LH
 - (a) Remove the 2 nuts and the FR wiper arm LH.
3. REMOVE FR WIPER ARM RH
 - (a) Remove the nut and the FR wiper arm RH.



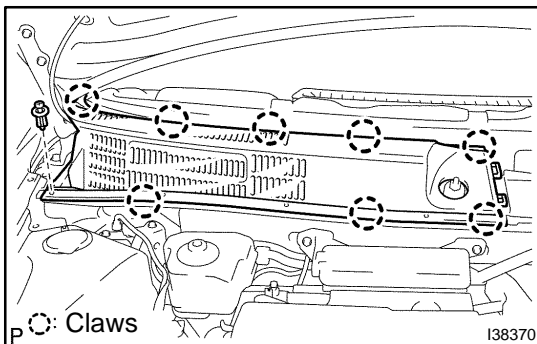
4. REMOVE HOOD TO COWL TOP SEAL

- (a) Disengage the 8 clips and remove the hood to cowl top seal.



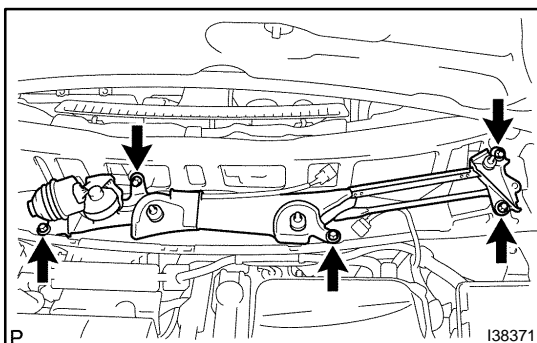
5. REMOVE COWL TOP VENTILATOR LOUVER LH

- (a) Disengage the 8 claws and clip, and remove the cowl top ventilator louver LH.



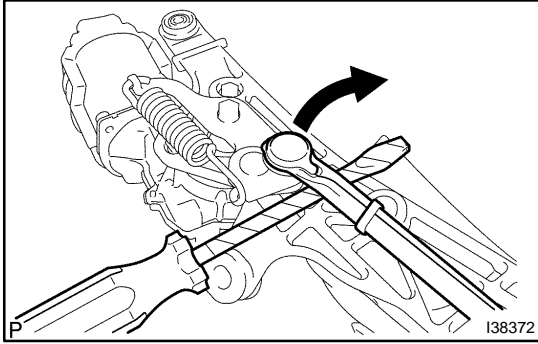
6. REMOVE COWL TOP VENTILATOR LOUVER RH

- (a) Disengage the 8 claws and clip, and remove the cowl top ventilator louver RH.



7. REMOVE WINDSHIELD WIPER MOTOR & LINK ASSY

- (a) Disconnect the connector.
- (b) Remove the 5 bolts and the windshield wiper motor & link assy.

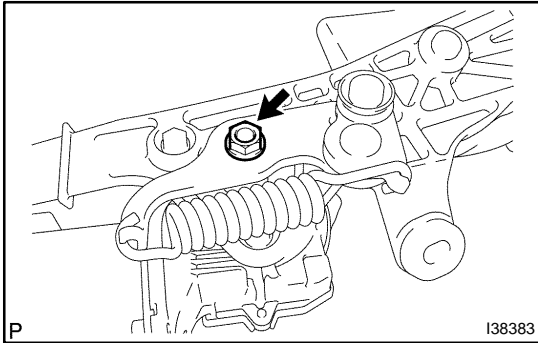


8. REMOVE WINDSHIELD WIPER MOTOR ASSY

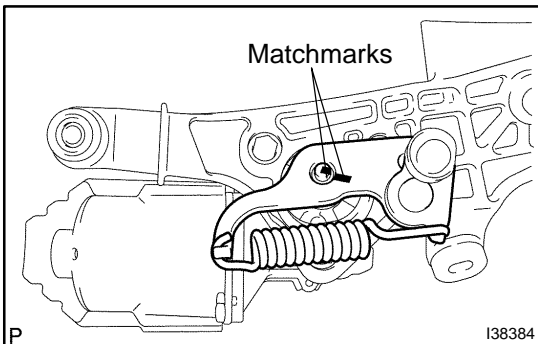
- (a) Using a flat-head screwdriver, disengage the windshield wiper link arm from the crank arm pivot of the windshield wiper motor assy.

HINT:

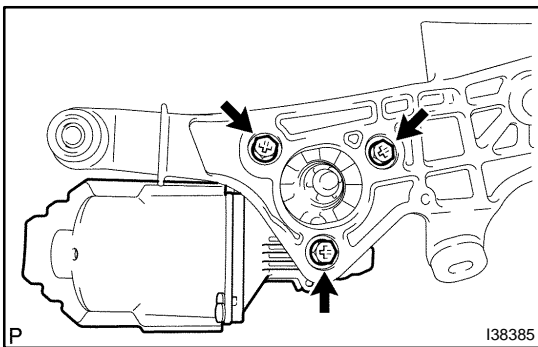
Tape up the screwdriver tip before use.



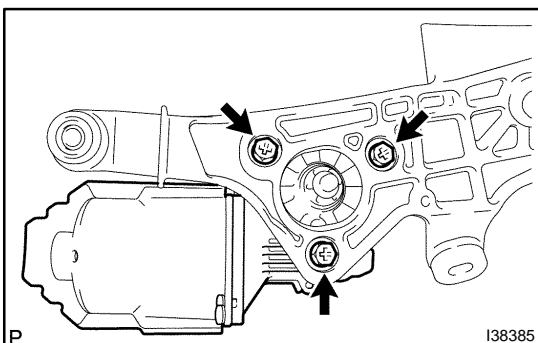
- (b) Remove the nut and washer.



- (c) Remove the crank arm assy.
 (d) Put matchmarks on the crank arm and windshield wiper motor assy, and remove the crank arm assy (when re-installing).



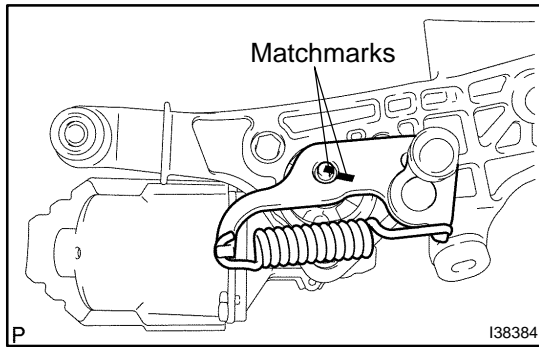
- (e) Remove the 3 bolts and the windshield wiper motor assy.



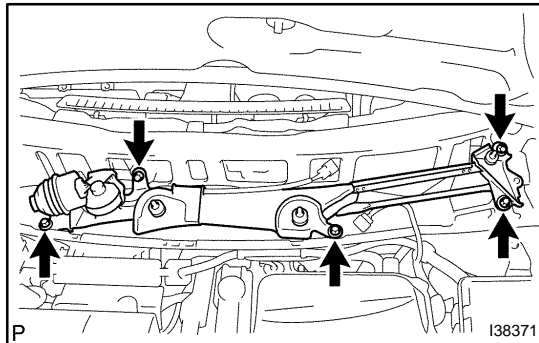
9. INSTALL WINDSHIELD WIPER MOTOR ASSY

- (a) Install the windshield wiper motor assy to the windshield wiper link assy with the 3 bolts.

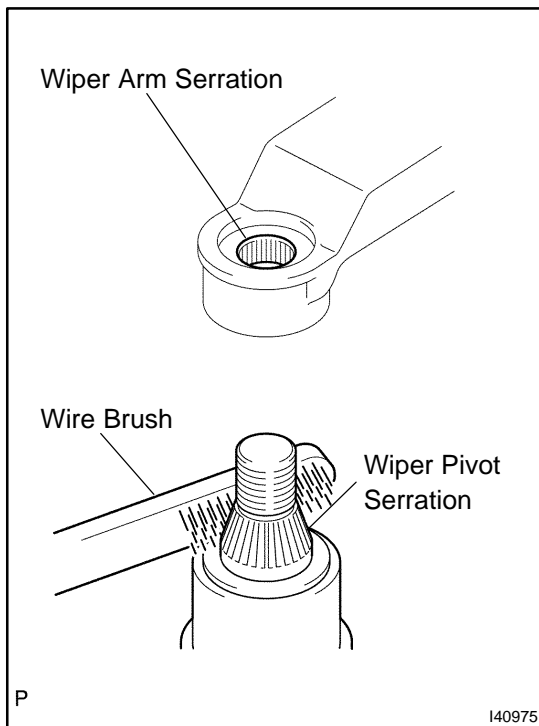
Torque: 5.4 N·m (55 kgf·cm, 48 in.-lbf)



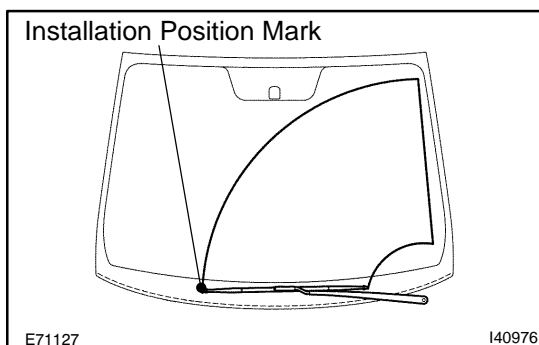
- (b) Install the crank arm assy with the washer and nut.
- (c) Align the matchmarks on the crank arm assy and windshield wiper motor assy, then install the crank arm assy with the washer and nut (when reinstalling).
Torque: 17 N·m (175 kgf·cm, 13 ft·lbf)
- (d) Apply MP grease to the crank arm pivot of the windshield wiper motor assy and install the windshield wiper link arm.



- 10. INSTALL WINDSHIELD WIPER MOTOR & LINK ASSY**
- (a) Install the windshield wiper motor & link assy with the 5 bolts.
Torque: 5.5 N·m (56 kgf·cm, 49 in·lbf)
 - (b) Connect the connector.



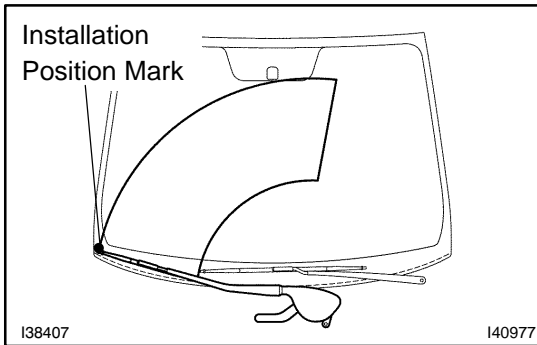
- 11. INSTALL FR WIPER ARM LH**
- (a) Clean the wiper arm serration with a round file or equivalent (when reinstalling).
 - (b) Clean the wiper pivot serration with a wire brush.



- (c) Install the front wiper arm LH with the nut so that the front wiper blade comes to the position shown in the illustration.
Torque: 21 N·m (214 kgf·cm, 15 ft·lbf)

HINT:

Hold down the arm hinge by hand in order to fasten the nut.

**12. INSTALL FR WIPER ARM RH**

- (a) Clean the wiper arm serration with a round file or equivalent (when reinstalling).
- (b) Clean the wiper pivot serration with a wire brush.
- (c) Install the front wiper arm RH with the 2 nuts so that the front wiper blade comes to the position shown in the illustration.

Torque: 21 N·m (214 kgf·cm, 15 ft·lbf)

HINT:

Hold down the arm hinge by hand in order to fasten the nut.

- (d) Operate the front wipers while spraying water or washer fluid on the windshield glass. Ensure that the wipers function properly and there is no interference with the body.